

Oaks Middle School Family Orientation Letter

1221 S. Oaks Avenue, Ontario, CA 91762

(909) 988-2050; Fax (909) 988-2081

July 2021

Dear Oaks Family Members,

Welcome to a new school year! We are excited to begin the new school year with students attending In-Person! Below is important information related to our Middle School Orientation and preparing your student for a successful year!

Orientation

Orientation will be held on **Monday, August 2nd, 2021 for 7th grade students AND on Tuesday, August 3rd, 2021 for 8th Grade students**. Your orientation time is based on your last name, and is shown in the tables below. A Parent/Guardian **must** be present in order for students to attend orientation. Parking is limited, so please arrive early!

7 th grade Orientation Schedule Monday, August 2 nd , 2021	
Time	Last Name Begins
8:00am – 9:00am	A - D
9:30am – 10:30am	E - K
11:00am – 12:00pm	L - M
12:30pm – 1:30pm	N - R
2:00pm – 3:00pm	S - Z

8 th grade Orientation Schedule Tuesday, August 3 rd , 2021	
Time	Last Name Begins
8:00 am – 9:00am	A - D
9:30am – 10:30am	E - K
11:00am – 12:00pm	L - M
12:30pm – 1:30pm	N - R
2:00pm – 3:00pm	S - Z

Check In (Please arrive to school 10 minutes before your scheduled time!)

Families will arrive to school 10 minutes before their designated times based on the first letter of their last name as per the schedule above. Check-in will occur at the two locations shown on the map on page 2. Please adhere to social distancing while waiting to be checked-in. All students and parents will need to wear a face covering at all times during the orientation.

Schedule of Activities for Orientation

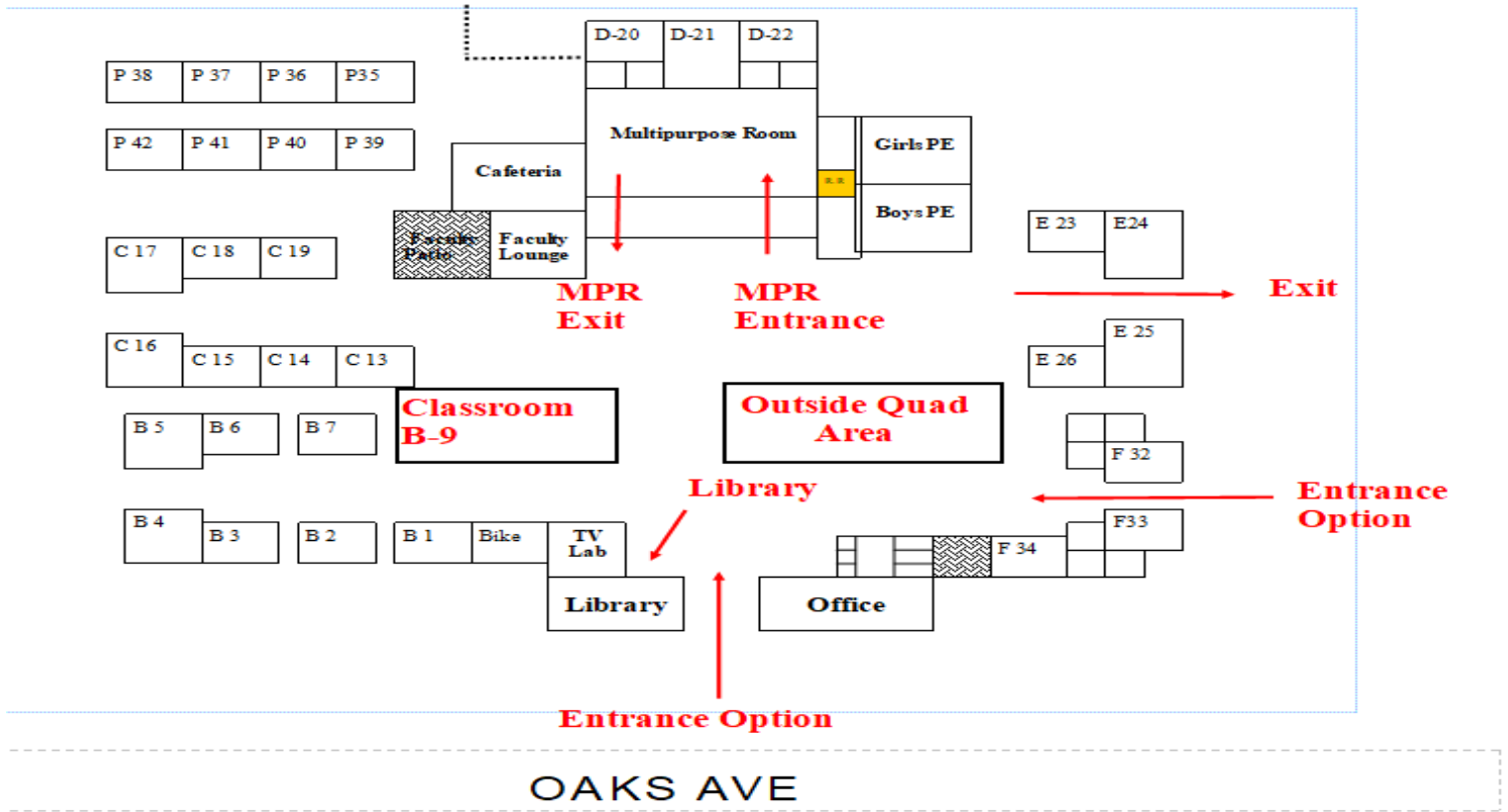
ALL families will complete items in the Quad area and Multi-Purpose Room before being provided with their class schedule, laptops, and textbooks. A checklist of important items to complete, along with specific instructions will be provided as you enter campus. The table below reflects what to expect during our orientation.

Outside Quad Area *Do this first*	Multi-Purpose Room *Do these second*	Classroom B-9	Library
Purpose: Students and families will be provided with a 1 st week packet with important information for starting school.	Purpose: Parents will complete <u>Lunch Forms</u> , register for <u>School Loop</u> , and register for <u>My Payments Plus</u> .	Purpose: Students will be provided with their class schedule. <i>Note: Schedule changes will not be made during orientation.</i>	Purpose: Students will be provided with district issued laptops and textbooks.

More Information on Page 2

Map of Orientation Activities

Oaks Middle School



First Day of School

The first day of school is Friday, August 9th. The school day begins at 8:10am and ends at 2:25pm. Specific Bells Schedules will be provided at orientation and are available on our webpage at omsd.net.

Suggested School Supplies

We recommend that families purchase the following school supplies:

1 ½ inch Binder	2 -100 sheet Graphing composition books (¼ squares/grid)	Highlighters (various colors)	Pencil top erasers	Blue/Black ink pens	
Colored pencils	3- 100 sheet composition books	Post Its (various sizes and colors)	College-ruled paper	Glue Sticks	Ruler
Pack of Pencils	3x5 index cards for Math and Science	Graph paper (8 ½ x 11 inch) ¼ squares/grid	Dividers (6-8 pack)	Scotch Tape	No Sissors

Back-to-School Night

Mark your calendars!! **Our Back-to-School Night is Thursday, August 12th at 5:00 pm.** More information will be provided during the first week of school.

Sincerely,

Mr. Nick Zajicek, Principal

Mrs. Alissa Garcia, Assistant Principal